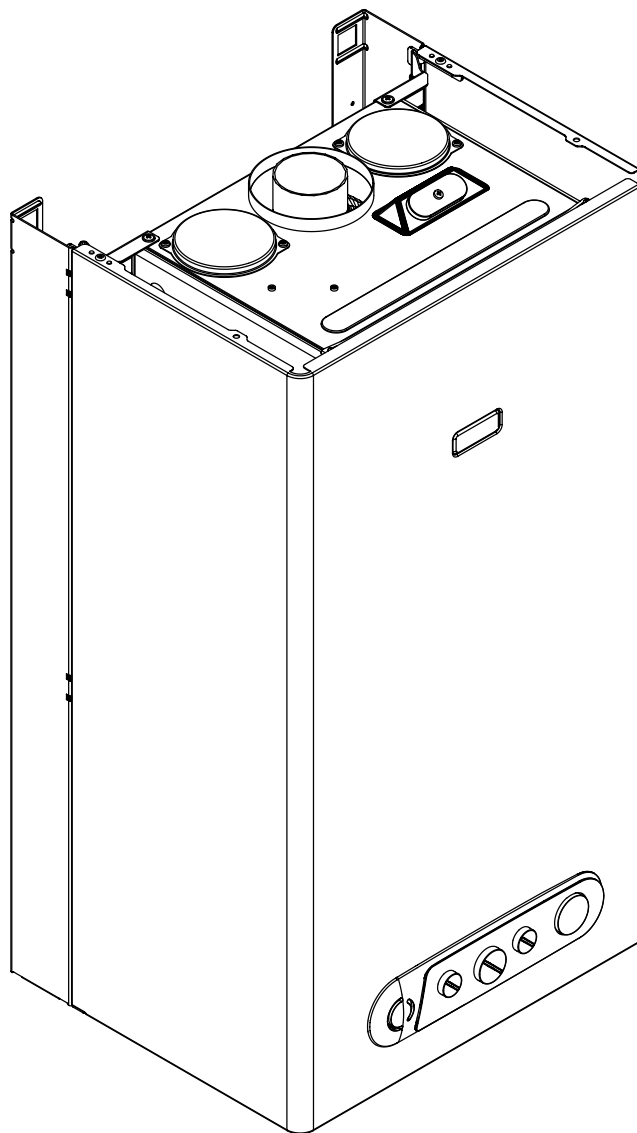
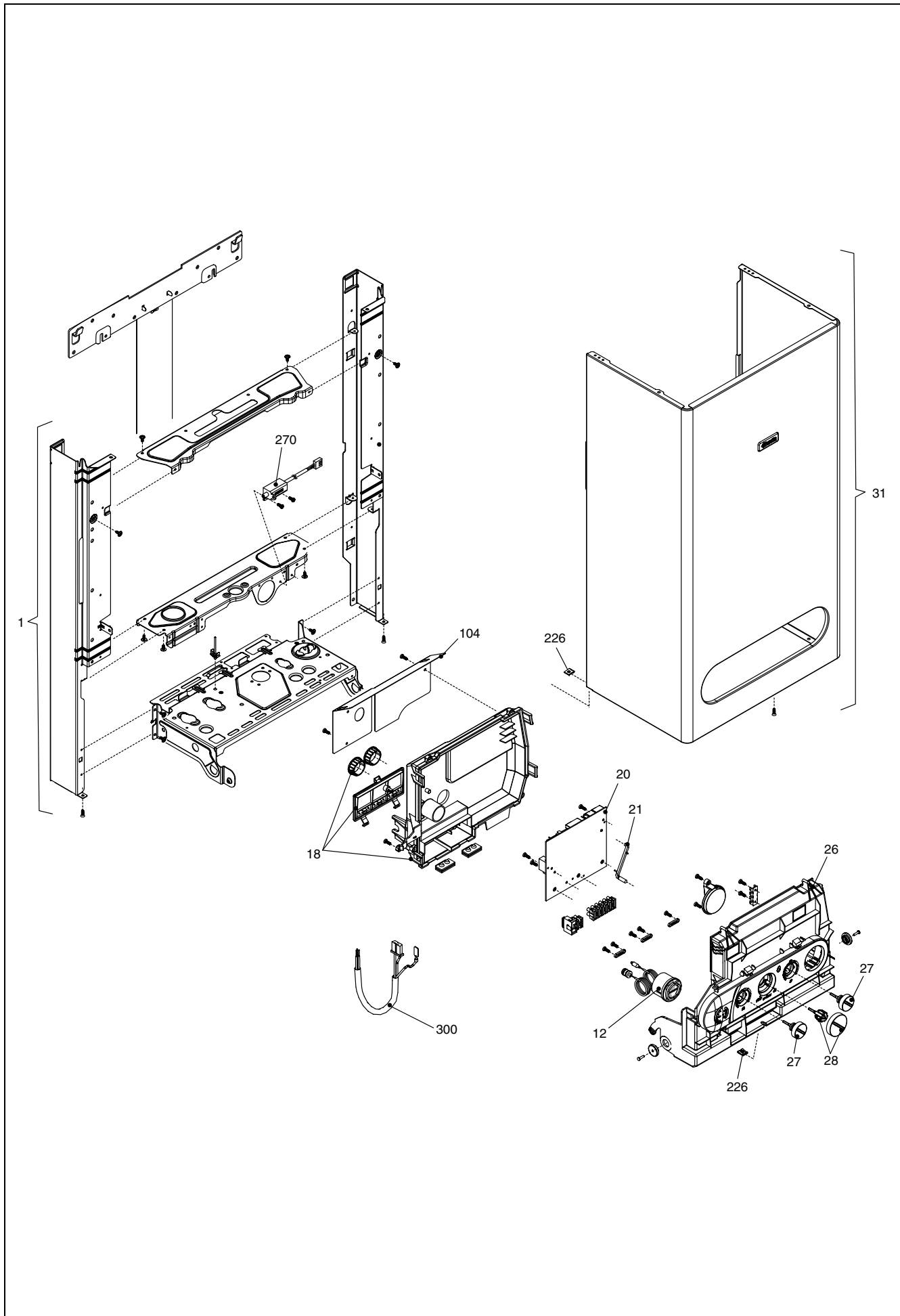


Wall hung boilers

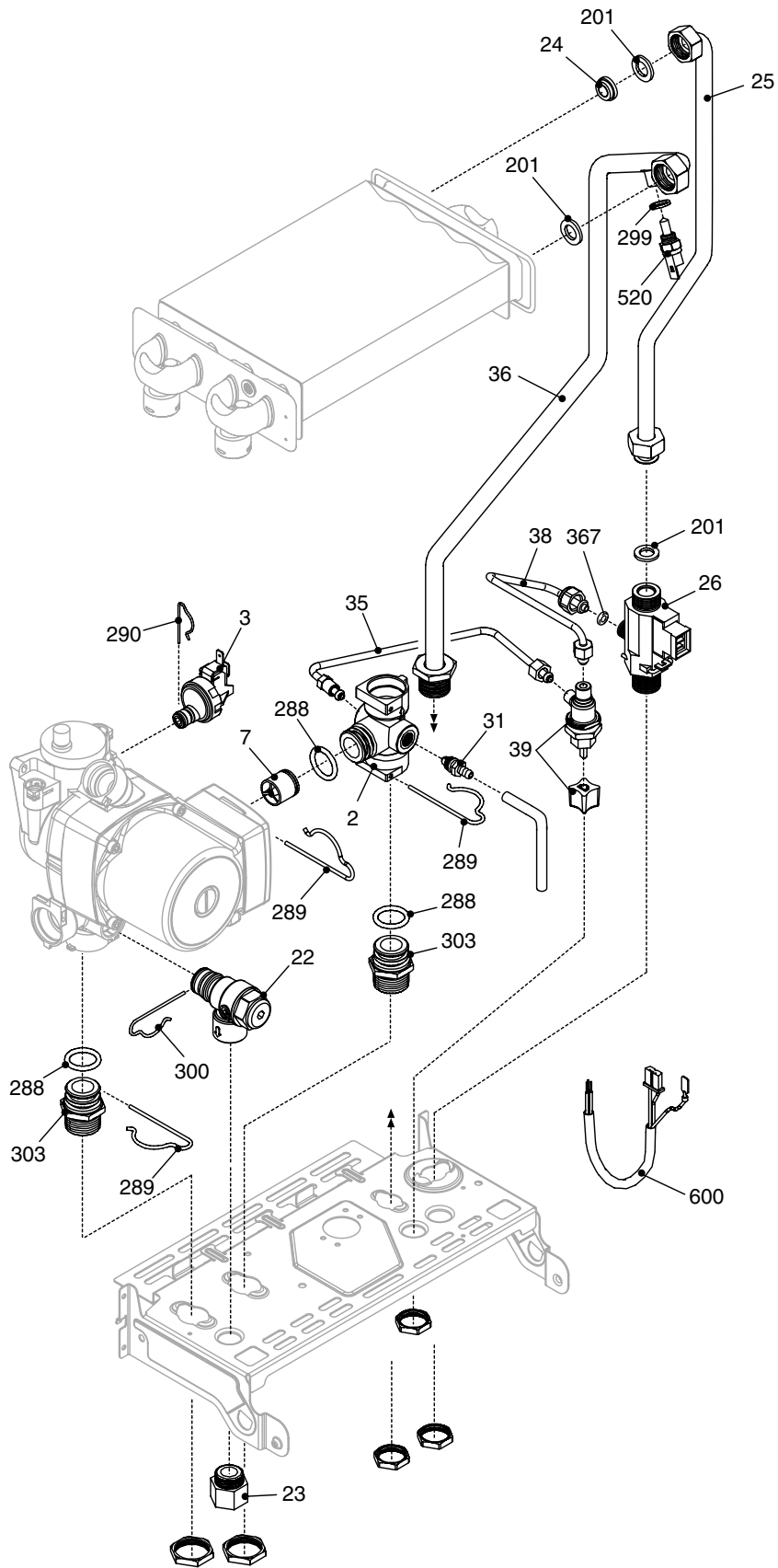
CIAO N



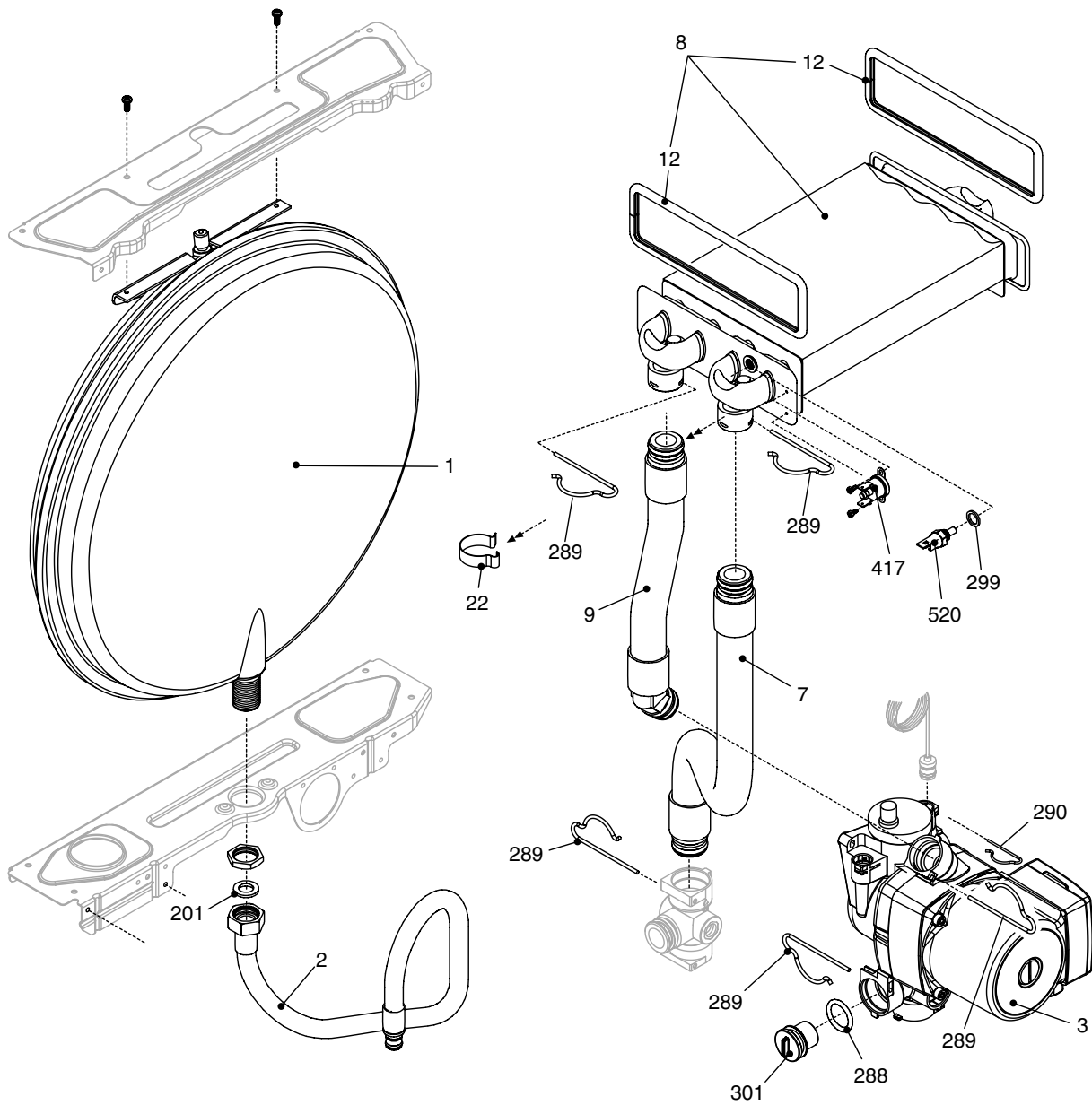
MODEL	PART NUMBER	
	MTN	GPL
Ciao 24 Cai N 2V	1151073 (C8M)	1151075 (C9M)
Ciao 24 Csi N 2V	1151083 (C1N)	1151085 (C2N)
Ciao 28 Cai N 2V	1151093 (C3N)	1151095 (C4N)
Ciao 28 Csi N 2V	1151103 (C5N)	1151103 (C6N)
Ciao 18 Csi N 2V	1151113 (C7N)	-



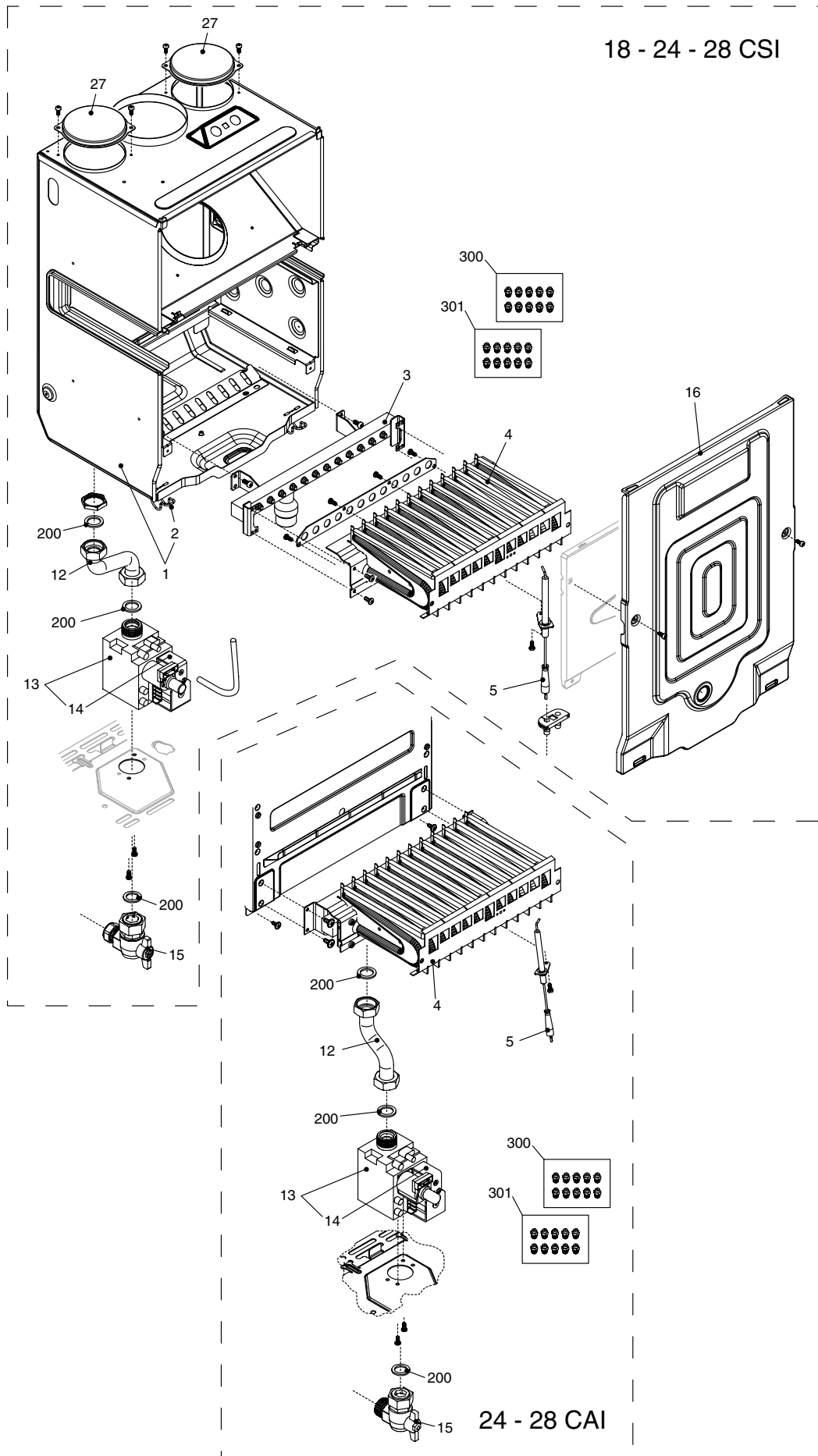
POS.	DESCRIPTION	24cai	24csi	28cai	28csi	18csi
1	Frame assembly	R01005259	R01005259	R01005260	R01005260	R01005259
12	Thermo-pressure gauge	R10026054	R10026054	R10026054	R10026054	R10026054
18	Cover	R10024173	R10024173	R10024173	R10024173	R10024173
20	Printed circuit board CPBTR08	R10030433	R10030433	R10030433	R10030433	R10030433
21	Led light guide	R10023816	R10023816	R10023816	R10023816	R10023816
26	Instrumental panel	R10026037	R10026037	R10026037	R10026037	R10026037
27	Knob	R10023937	R10023937	R10023937	R10023937	R10023937
28	Knob	R10023936	R10023936	R10023936	R10023936	R10023936
31	Case	R10023822	R10023822	R10023883	R10023883	R10023822
104	Protection	R10025084	-	R10025084	-	-
226	Clip	R5128	R5128	R5128	R5128	R5128
270	Ignition transformer TR2	R10021272	R10021272	R10021272	R10021272	R10021272
300	Wiring harness	R10023840	R10023840	R10023840	R10023840	R10023840



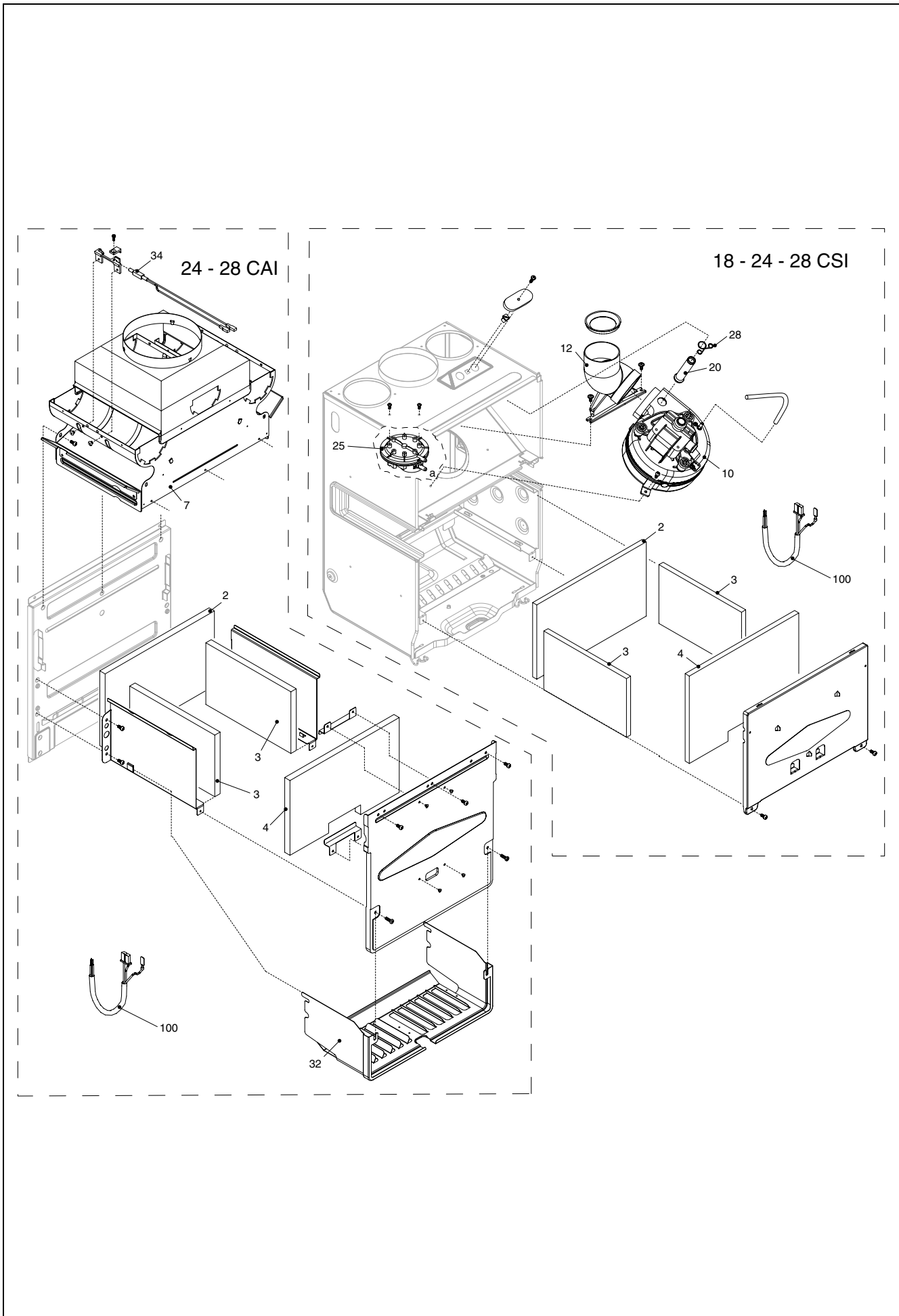
POS.	DESCRIPTION	24cai	24csi	28cai	28csi	18csi
2	Connection	R10023988	R10023988	R10023988	R10023988	R10023988
3	Pressure water switch	R10028141	R10028141	R10028141	R10028141	R10028141
7	Heating by-pass valve	R2047	R2047	R2047	R2047	R2047
22	Safety valve	R2907	R2907	R2907	R2907	R2907
23	Fitting/union	R10022499	R10022499	R10022499	R10022499	R10022499
24	Flow governor	R8009	R8009	R9430	R9430	R8008
25	Pipe	R10020714	R10020714	R10023950	R10023950	R10020714
26	Dhw actuator	R10022752	R10022752	R10022752	R10022752	R10022752
31	Drain tap	R01005137	R10023235	R01005137	R01005137	R01005137
35	Pipe	R10022706	R10022706	R10022706	R10022706	R10022706
36	Pipe	R10020612	R10020612	R10023949	R10023949	R10020612
38	Pipe	R10022705	R10022705	R10022705	R10022705	R10022705
39	Hydraulic group	R10022511	R10022511	R10022511	R10022511	R10022511
201	Washer	R5026	R5026	R5026	R5026	R5026
288	Ring	R6898	R6898	R6898	R6898	R6898
289	Clip	R2223	R2223	R2223	R2223	R2223
290	Clip	R2165	R2165	R2165	R2165	R2165
299	Washer	R10022726	R10022726	R10022726	R10022726	R10022726
300	Clip	R2222	R2222	R2222	R2222	R2222
303	Fitting/union	R2217	R2217	R2217	R2217	R2217
367	O ring	R8542	R8542	R8542	R8542	R8542
520	NTC sensor	R10027352	R10027352	R10027352	R10027352	R10027352
600	Control cable	R10023939	R10023939	R10023939	R10023939	R10023939



POS.	DESCRIPTION	24cai	24csi	28cai	28csi	18csi
1	Expansion vessel	R2204	R2204	R2204	R2204	R2204
2	Pipe	R10023603	R10023603	R10023603	R10023603	R10023603
3	Pump	R10027370	R10027370	R10027370	R10027370	R10027370
7	Pipe	R10022000	R10022000	R10023947	R10023947	R10022000
8	Heat exchanger	R10021419	R10021419	R10023661	R10023661	R10021419
9	Pipe	R10022002	R10022002	R10023948	R10023948	R10022002
12	Washer	-	R2226	-	R2226	R2226
22	Clip	R10026049	R10026049	R10026049	R10026049	R10026049
201	Washer	R5026	R5026	R5026	R5026	R5026
288	Ring	R6898	R6898	R6898	R6898	R6898
289	Clip	R2223	R2223	R2223	R2223	R2223
290	Clip	R2165	R2165	R2165	R2165	R2165
299	Washer	R10022726	R10022726	R10022726	R10022726	R10022726
301	Automatic by-pass plug	R2261	R2261	R2261	R2261	R2261
417	High limit thermostat	R10024710	R10024710	R10024710	R10024710	R10024710
520	NTC sensor	R10027352	R10027352	R10027352	R10027352	R10027352



POS.	DESCRIPTION	24cai	24csi	28cai	28csi	18csi
1	Air box bottom	-	R10024669	-	R10023904	R10024669
2	Clip	-	R0442	-	R0442	-
3	Main burner injector manifold	-	R10025271	-	R10023902	R10026944
4	N.G. burner	R10025273	R10025270	R10023876	R10023901	R10023798
5	Spark / ignition electrode	R10025985	R10025985	R10025985	R10025985	R10025985
12	Gas pipe	R10024330	R10023996	R10024330	R10023996	R10023996
13	Gas valve	R10021021	R10021021	R10021021	R10021021	R10021021
14	Gas valve solenoid	R10020838	R10020838	R10020838	R10020838	R10020838
15	3/4" gas cock	R2266	R2266	R2266	R2266	R2266
16	Cover assembly	-	R10024779	-	R10023928	R10024779
27	Plug	-	R10023805	-	R10023805	R10023805
200	Washer	R5023	R5023	R5023	R5023	R5023
300	Ng conversion kit	R01005225	R01005225	R01005225	R01005225	R01005375
301	LPG conversion kit	R01005217	R01005297	R01005217	R01005297	R01005374



POS.	DESCRIPTION	24cai	24csi	28cai	28csi	18csi
2	Back insulatin panel	R5270	R2230	R5316	R10023909	R2230
3	Combustion chamber insulation panel	R2272	R2231	R2272	R2231	R2231
4	Combustion chamber insulation panel	R5269	R2232	R5315	R10023910	R2232
7	Flue draught diverter	R10027526	-	R10027527	-	-
10	Fan	-	R10020793	-	R10023907	R10026946
12	Fan connection	-	R10021972	-	R10021972	R10021972
20	Fumes testing connection pipe	-	R10021973	-	R10021973	R10021973
25	Pressure switch	-	R01005272	-	R10023908	R10023908
28	Clip	-	R10020626	-	R10020626	R10020626
32	Combustion chamber bottom	R10024609	-	R10024608	-	-
34	Fumes thermostat	R10021449	-	R10021188	-	-
100	Combustion cable	R10023846	R10023838	R10023846	R10023838	R10023838



Beretta reserve the right to change the specifications without prior notice.
Consumers' statutory rights are not affected.